



valvoindustria ing. Rizzio s.p.a.

Via Circonvallazione, 10  
13018 Valduggia (VC), Italy  
Tel: +39 0163 47891  
Fax: +39 0163 47895  
www.vironline.com

# Accessory

Limit Switch Box For Pneumatic Actuator

## Description

Limit switch box for pneumatic actuator  
Body, brackets, shaft and cams in technopolymer  
Microswitches and electrical board in polyamide  
Fasteners in stainless steel AISI 304  
Seals in NBR  
1 conduit entry ISO M20  
NAMUR VDI/VDE 3845 connection for actuator  
Enclosure protection: IP65 (Nema 4, 4x)  
CE compliant

Cams for microswitch activation adjustable at 2° steps

Available microswitches:

- 1NO/1NC open switch
- 1NO/1NC close switch

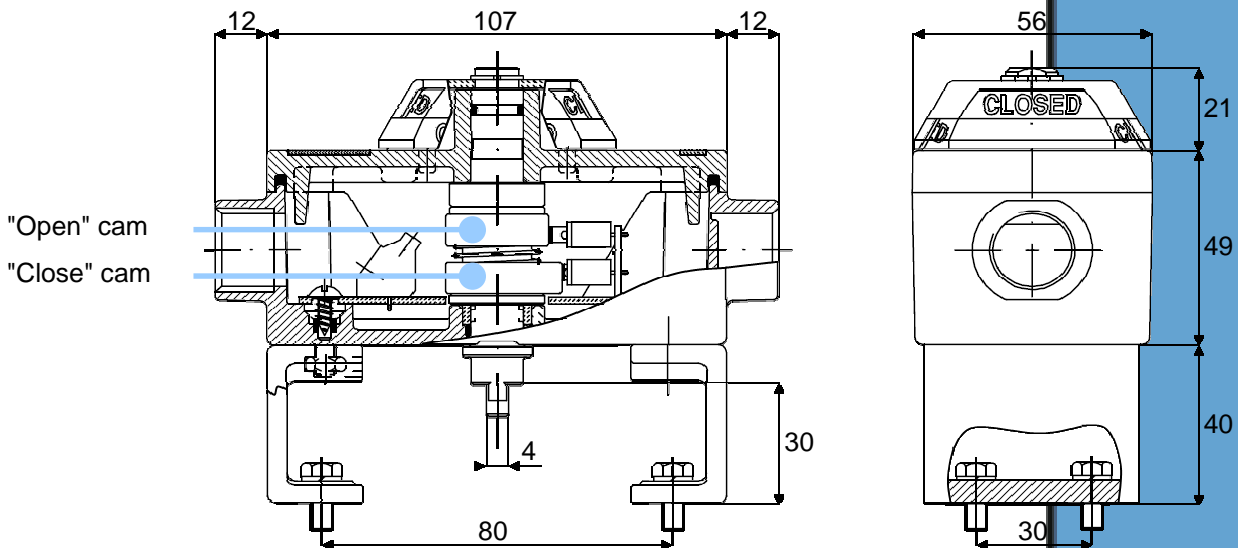
Suitable for dual coil solenoid valves

Working conditions: -20°C to +80°



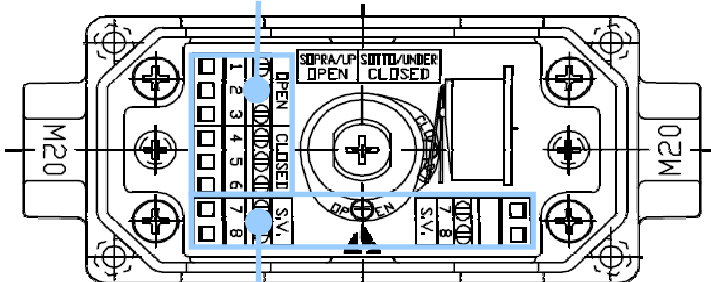
## Dimensions

Dimensions in mm

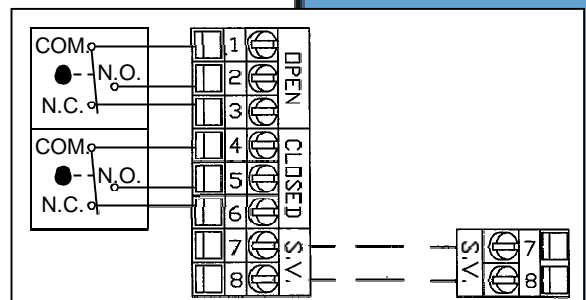


## Terminal strips and wiring diagram

Terminals for limit switches



Terminals for solenoid valves



Wiring diagram

090415